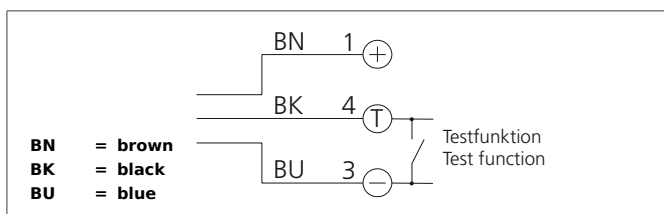


OSV 18 M 20000-IBSL

Through Beam Sensor, Transmitter

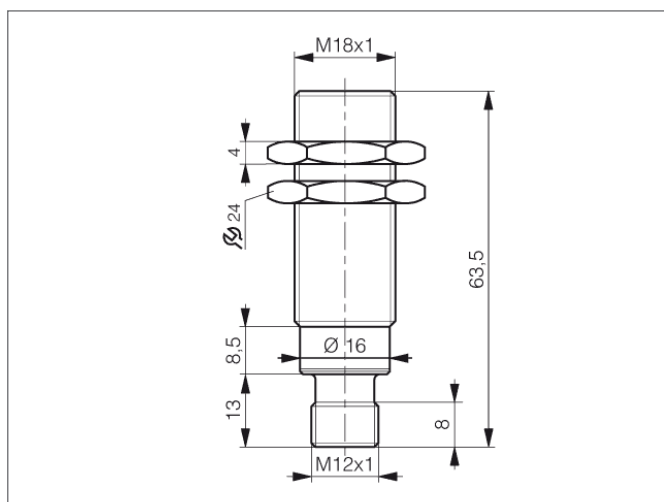
- Compact design
- Red light
- High resolution, operating frequency, functional reserve
- LED indication of output state and functional reserve
- High operating distance
- Transmitter test function



Safety instructions

The Instruments are not to be used for safety applications, in particular applications in which safety of persons depends on proper operation of the instruments.

These instruments shall exclusively be used by qualified personnel.



TECHNICAL INFORMATION (typ.)	+20°C, 24V DC
Operating principle	Through beam sensors, transmitter
Evaluation	digital
Size	M18 x 1 (thread)
Design	screw
Emitted light	Red, 660 nm, clocked
Service voltage	10 ... 36 V DC
Internal power consumption	< 15 mA
Operating distance	20.000 mm
Sensitivity adjustment	no setting elements
Switching frequency	1.000 Hz
Ambient temperature	-25 ... +55 °C
Insulation voltage endurance	1.000 V
Protection class	IP 67
Protection degree	III, operation on protective low voltage
Casing material	brass nickel plated
Connection	Connector, M12, 3-poled